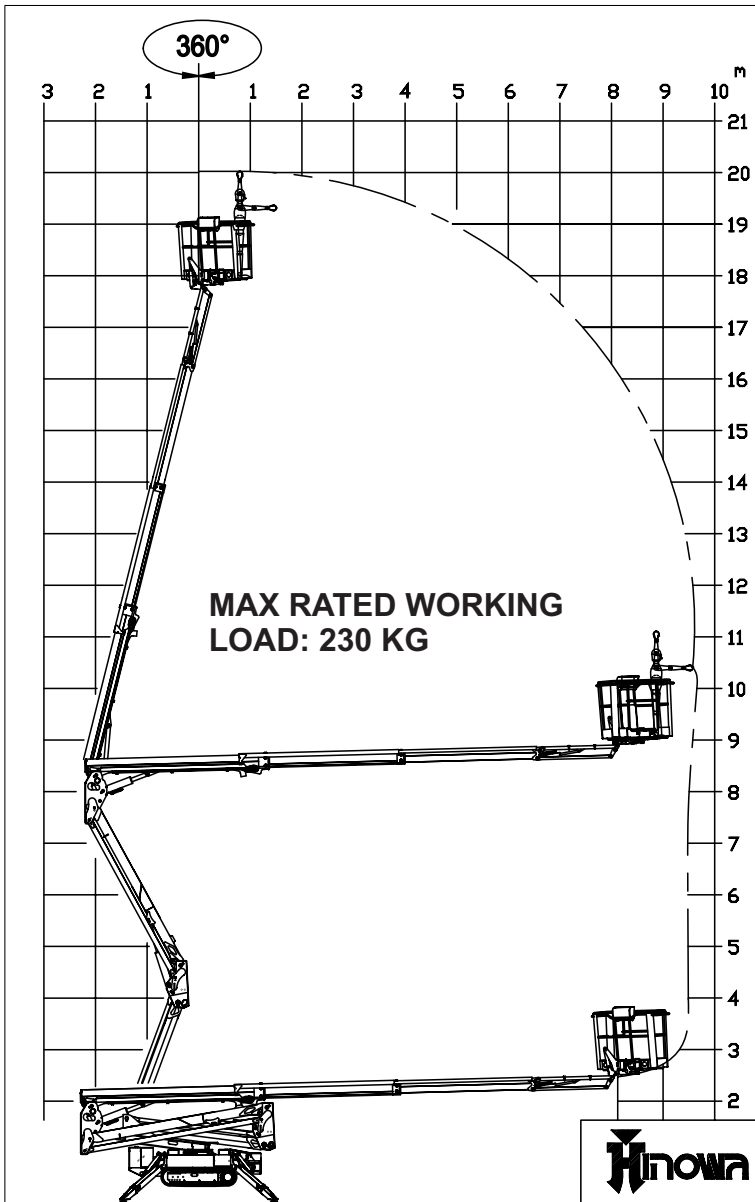


PERFORMANCE III



 **CAPACITY**
230 kg

MAX WORKING HEIGHT  20,15 m

MAX HORIZONTAL WORKING OUTREACH  9,70 m

TRANSPORT LENGTH  5,01 m

TRANSPORT LENGTH WITHOUT BASKET AND ROTATED SUPPORT  4,50 m


TRANSPORT HEIGHT  1,99 m

STANDARD CAGE DIMENSIONS  1335x690xh.1100 mm

WEIGHT WITHOUT FUELS AND OIL  2800 kg (with petrol engine)

TOTAL OPERATING WEIGHT  2880 kg (with petrol engine)

THERMIC ENGINE AVAILABLE  • Honda iGX440-12,7HP 3600 rpm
• Perkins 402.05-14HP 3600 rpm

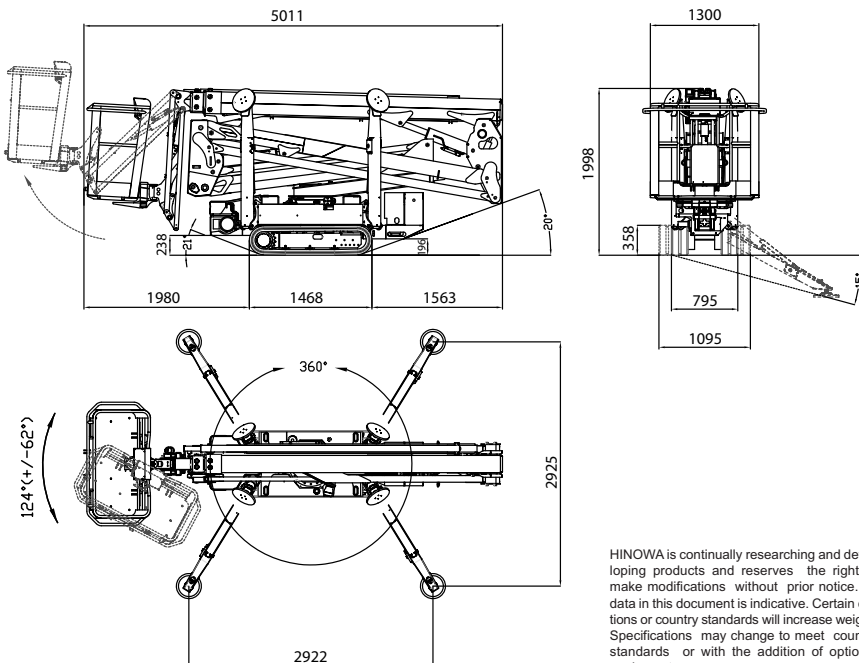
ELECTRIC MOTOR  2,2kw-230V-50Hz (110 optional) 1500rpm

CLOSED MACHINE WIDTH  795 /1095 mm

LITHIUM 

ELECTRIC MOTOR WITH LITHIUM BATTERIES

OPTIONAL 90Ah / 72V



HINOWA is continually researching and developing products and reserves the right to make modifications without prior notice. All data in this document is indicative. Certain options or country standards will increase weight. Specifications may change to meet country standards or with the addition of optional equipment.



CE IPAF

Member of CISA Federation
RINA
ISO 9001:2008
Certified Quality System

Hinowa®

HINOWA SPA
Via Fontana • 37054 NOGARA • Verona • Italy
Tel. +39 0442 539100 • Fax +39 0442 539075
info@hinowa.com
www.hinowa.com